

COMPACT SLICER

FLEXIBLE. COMPACT. HYGIENIC.

THE FLEXIBLE

SMALL AND STILL GREAT



PRODUCT SUPPORT AND CUTTING FRAME ADJUSTABLE

REMOVING THE PRODUCTS AS SHINGLES, STACK AND PIECES

MHS
SCHNEIDETECHNIK GMBH



The new Compact Slicer MHS is characterized by its compact design. With 2 separate motors one rotor and one blade. Due to this combination the important ratio between blade and rotor can be adapted for each product. Let yourself be convinced by good arguments!



SLICES ...

Sausages and cheese with the optimum cutting results



PRECISE

Exact portioning thanks to precise feeding via the friction-reducing surface



HYGIENIC

Easy to clean thanks to stainless steel surface and removable components



PRODUCTIVITY:

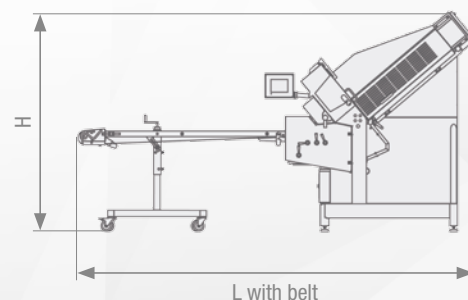
- Up to 400 revolutions/minute
- Large cutting area of 300 x 150 mm
- Deposition as a stack, shingle and pieces
- No reduction in the cutting performance by using the portioning belt combination

SLICING RESULT:

- Optimum cutting results by adjustability of the ratio between blade and rotor
- Adjustable product support and cutting frame for optimal cutting position
- Balanced cutting system for best cutting results even at high speeds

PRECISION WORK

- For us, highest quality goes without saying.
- Our machines are designed and manufactured by pros.



HANDLING:

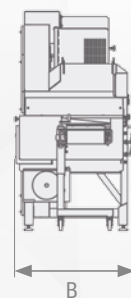
- Removable cutting frame and gripper without tools
- No conversion necessary for product changes
- Lateral cutting position easily adjustable

VERSATILITY:

- Variable used by 2-engined blade drive for cutting a variety of products
- Retrofit possibilities such as portioning belt combination for stacking, shingles, ziczac stacks, fluff portion, folding over or make group of pieces at full power
- Interleaver
- Needs only electricity, no air

HYGIENE:

- The open design allows for extremely easy access for cleaning
- No heating source below the product feed and discharge



COMPACT SLICER

as standard optional

	Compact Slicer
Max. input length mm	750
Cross section mm (WxH)	300 x 150
Dimensions mm (LxWxH) (L with conveyor)	1714 x 1085 x 1986 (3595 with portioning belt combination) (2997 with conveyor)
Connection (other voltage on request)	400 V / 6 kW
Weight kg	720
Performance slices/minute	60 - 400
Slice thickness mm	0.5 - 50

FUNCTIONS

Start devine	✓
Return limiter	✓

MHS

SCHNEIDETECHNIK GMBH

Im Deboldsacker 6 • 74232 Abstatt • Germany

Telefon +49 (0) 70 62 / 9 78 96 - 0 • Fax +49 (0) 70 62 / 9 78 96 - 29
 info@mhs-schneidetechnik.com • www.mhs-schneidetechnik.com